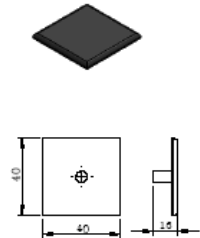
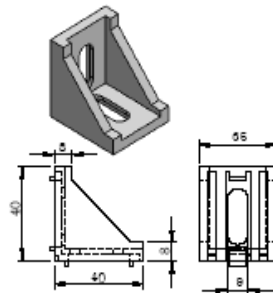
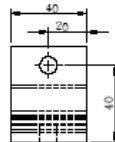
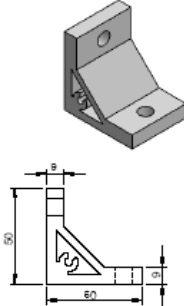
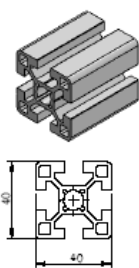
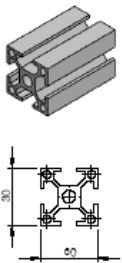


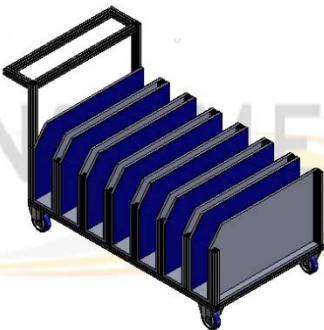
**ALUMINIUM FRAME**



- Clean Environment Application
- Less-Rust
- Eco-Friendly, Highly Recycle



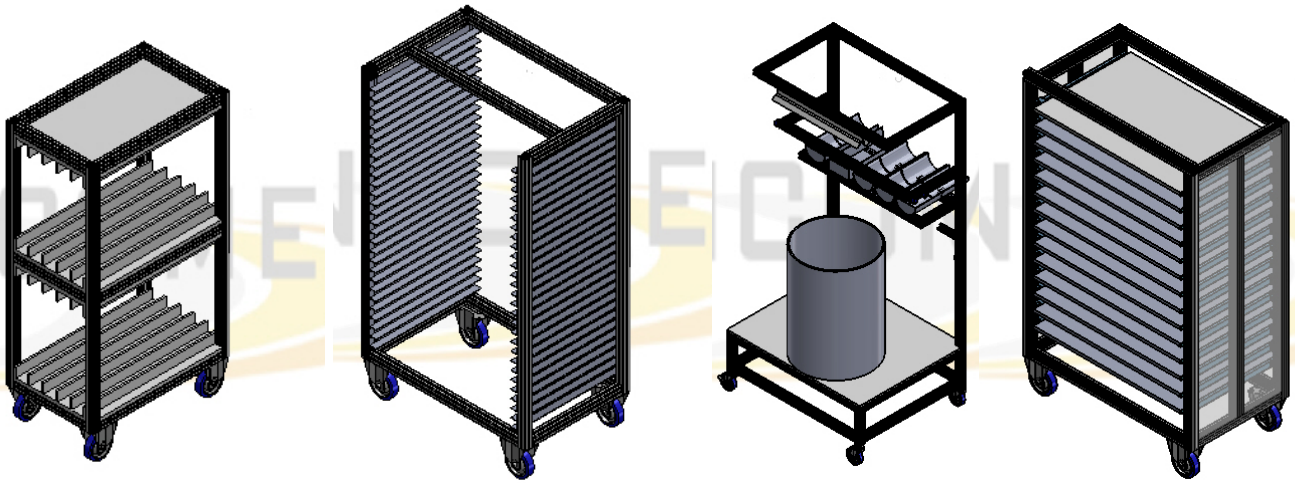
**Alum Frame Drawing**



Please call us for more information, Tel : 66 (0) 2 755 3604-5,

**CREATIVITY, APPLICATION, CONTINUAL IMPROVEMENT SOLUTION!**

Alum Frame Drawing



Project Photo



Please call us for more information, Tel : 66 (0) 2 755 3604-5,

**CREATIVITY, APPLICATION, CONTINUAL IMPROVEMENT SOLUTION!**